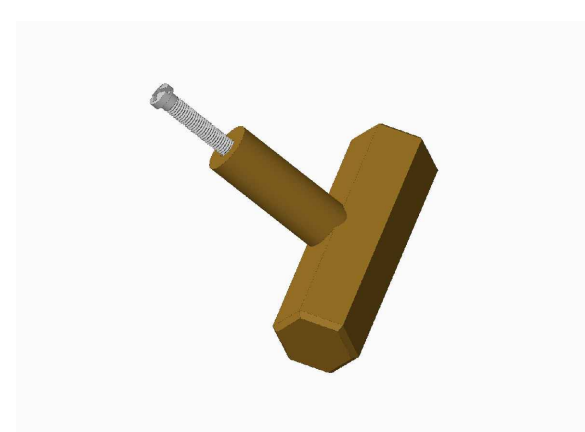
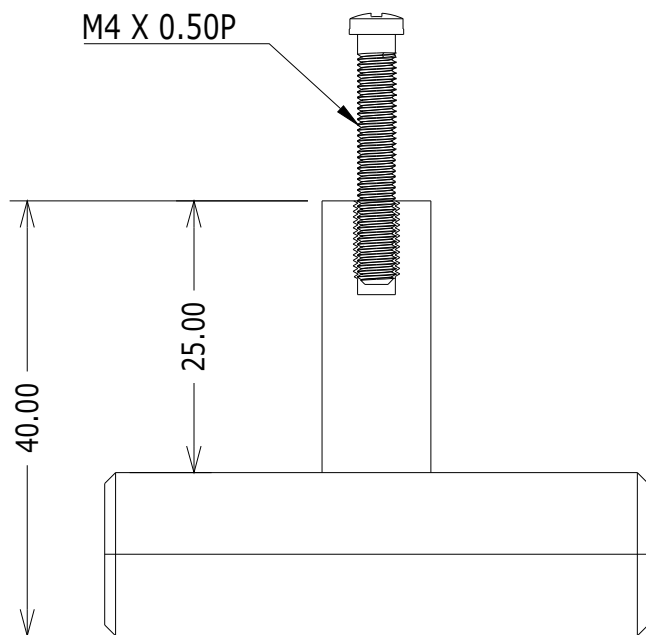


M4 X 0.50P



NOTE : All dimensions are in MM
Protective lacquer to prevent oxidisation and corrosion.
Suitable for all appliance doors.

Cleaning & Maintenance : Wipe clean with warm water and a soft cloth.
Avoid abrasive towels, sponges, cleaning, sprays
bleach and hand sanitizers.

WEIGHT : 0.021 g.

MATERIAL : ALUMINIUM

SKU :PH155,162,169

FINISH : Brushed

PUSHKA HOME

TITLE : T KNOB

DATE :