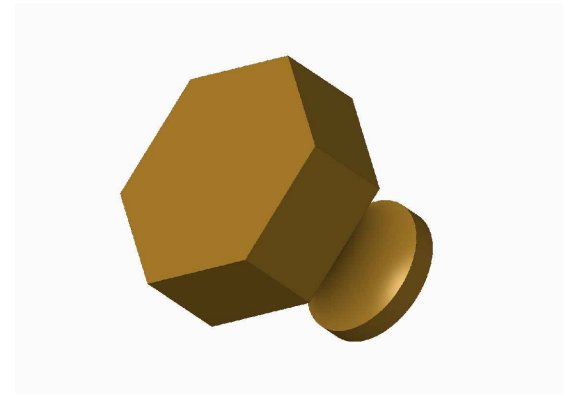
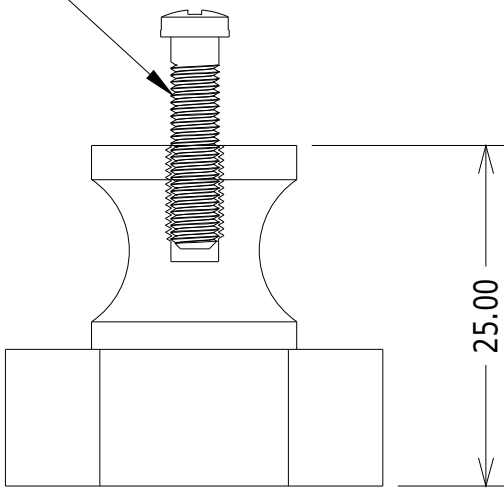


M4 X 0.50P



NOTE : All dimension are in MM
 Protective lacquer to prevent oxidisation and corrosion.
 Suitable for all appliance doors.

Cleaning & Maintenance : Wipe clean with warm water and a soft cloth.
 Avoid abrasive towels, sponges, cleaning, sprays
 bleach and hand sanitizers.

WEIGHT : 0.019 g.

MATERIAL : ALUMINIUM

SKU :PH156,163,170

FINISH : Brushed

PUSHKA HOME

TITLE : KNOB

DATE :