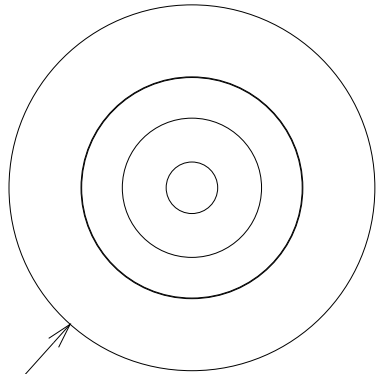


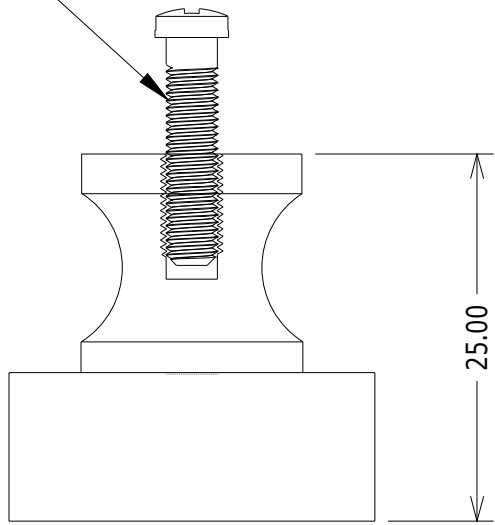
1 2 3 4 5 6 7 8 9 10 11 12 13 14 15 16

A
B
C
D
E
F
G
H



Ø24.50

M4 X 0.50P



25.00



NOTE : All dimensions are in MM Protective lacquer to prevent oxidisation and corrosion. Suitable for all appliance doors.		Cleaning & Maintenance : Wipe clean with warm water and a soft cloth. Avoid abrasive towels, sponges, cleaning, sprays bleach and hand sanitizers.	
WEIGHT : 0.017 g.	MATERIAL : ALUMINIUM	SKU : PH177,185,193	FINISH : Brushed
PUSHKA HOME		TITLE : KNOB	
		DATE :	

1 2 3 4 5 6 7 10 11 12 13 14 15 16